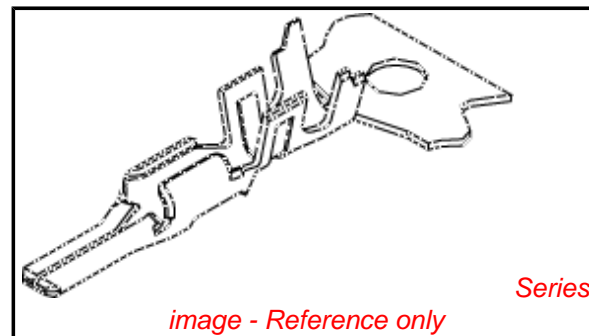


PLEASE CHECK WWW.MOLEX.COM FOR LATEST PART INFORMATION

Part Number: [0501478000](#)
Status: **Active**
Overview: [splash_proof](#)
Description: Splash Proof Crimp Terminal 50147, Reel

Documents:

3D Model	Product Specification PS-52213-002 (PDF)
Drawing (PDF)	RoHS Certificate of Compliance (PDF)
Product Specification PS-52213-001 (PDF)	



General

Product Family	Crimp Terminals
Series	50147
Crimp Quality Equipment	Yes
Overview	splash_proof
Product Name	Splash Proof

Physical

Gender	Male
Material - Metal	Phosphor Bronze
Material - Plating Mating	Tin
Material - Plating Termination	Tin
Packaging Type	Reel
Termination Interface: Style	Crimp or Compression
Wire Insulation Diameter	1.40-1.70mm (.055-.067")
Wire Size AWG	20, 22
Wire Size mm ²	N/A

Material Info

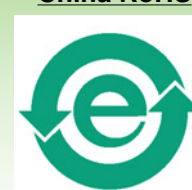
Reference - Drawing Numbers

Product Specification	PS-52213-001, PS-52213-002, RPS-501202-001, RPS-52266-001
Sales Drawing	SD-50147-8*00

EU RoHS

ELV and RoHS Compliant
REACH SVHC Contains SVHC: No
Halogen-Free Status
Halogen-Free

China RoHS



Need more information on product environmental compliance?

Email productcompliance@molex.com
 For a multiple part number RoHS Certificate of Compliance, [click here](#)

Please visit the [Contact Us](#) section for any non-product compliance questions.

Search Parts in this Series

50147Series

Application Tooling | FAQ

Tooling specifications and manuals are found by selecting the products below. Crimp Height Specifications are then contained in the Application Tooling Specification document.

Global

Description	Product #
T2 Terminator Die	0638517100
FineAdjust™ Applicator	0638617100
Extraction Tool	0638132700
Hand Crimp Tool	0638118600

Japan

Description	Product #
Applicator for M21 1A Bench Press, for 50147 and 50148 Crimp Terminal	0571443000

PLEASE CHECK WWW.MOLEX.COM FOR LATEST PART INFORMATION

10 9 8 7 6 5 4 3 2 1

F

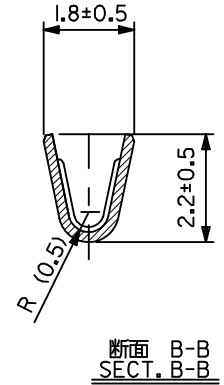
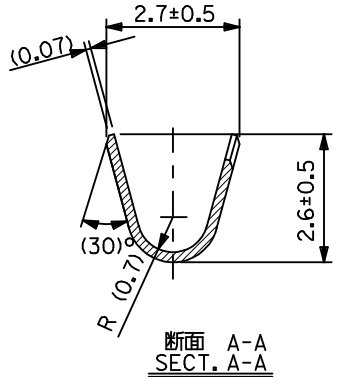
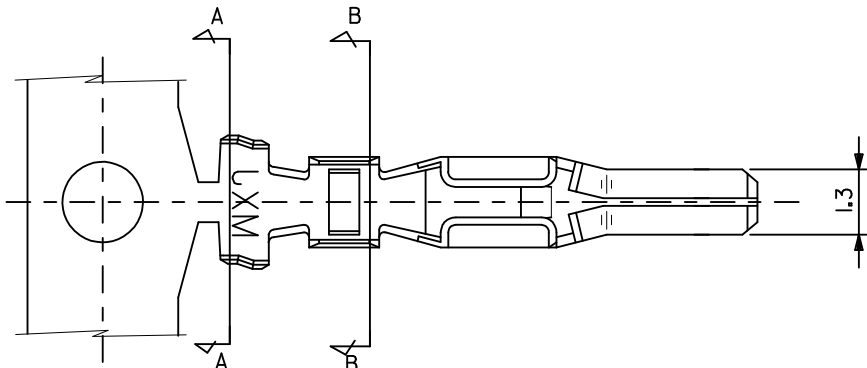
E

D

C

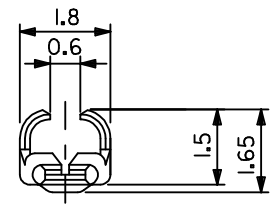
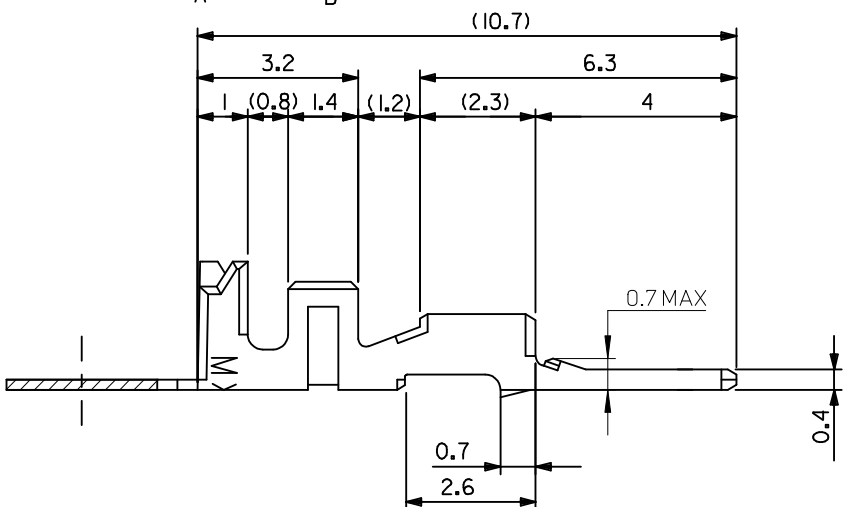
B

A



注記
NOTES

1. 適合ハウジング アッセンブリ; 52266-***
APPLICABLE HS'G ASS'Y; 52266-***
2. 嵌合相手; 50148-8*00
MATES WITH; 50148-8*00



50147-8100	バラ状 LOOSE
50147-8000	連鎖状 CHAIN
製品番号 ENG.NO.	端子形状 FORM

材料 MATERIAL	リン青銅 錫メッキ (+0.2) PHOSPHOR BRONZE TIN PLATING(+0.2)
適用電線範囲 WIRE RANGE	AVSS-0.3 AVSS-0.5 CAVS-0.3 CAVS-0.5
被覆外径 INS. RANGE	φ1.4-1.7

REVISED & REDRAWN	DESCRIPTION
EC NO: JTR2010-0004	2009/07/28
DRM: NISHIBATA	2009/07/28
CHKD: TAITO	2009/07/28
APPR: MAYAMOTO	2009/07/28

GENERAL TOLERANCES (UNLESS SPECIFIED)	
10 UNDER	±0.3
10 OVER 30 UNDER	±0.25
30 OVER	±0.2
ANGULAR	±3°
DRAFT WHERE APPLICABLE MUST REMAIN WITHIN DIMENSIONS	

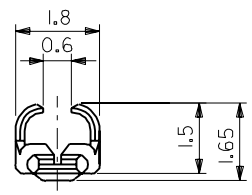
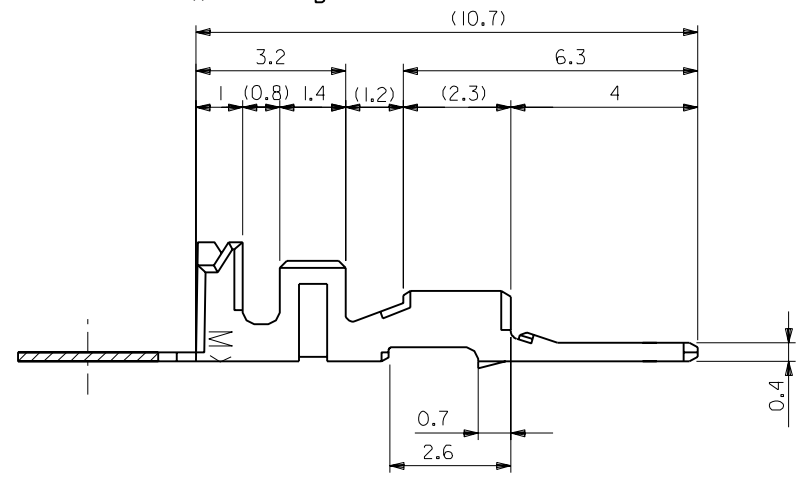
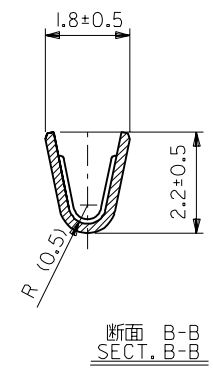
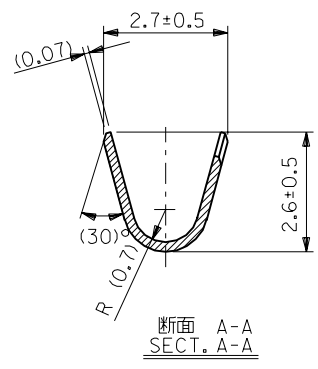
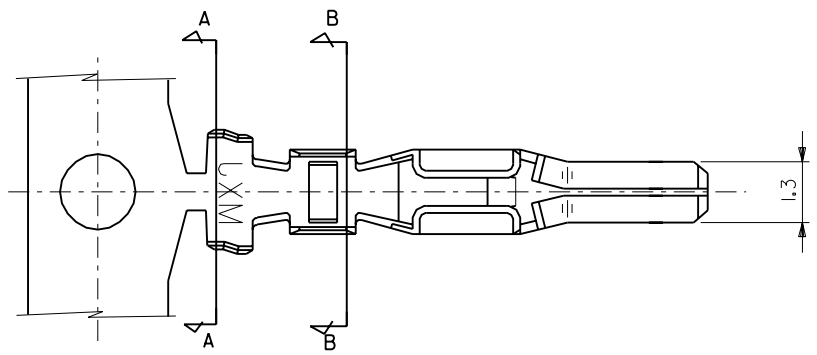
DIMENSION STYLE MM ONLY	
DRAWN BY	DATE
M. SANO	1991/7/17
CHECKED BY	DATE
M. SAKANO	1992/8/6
APPROVED BY	DATE
M. ENOMOTO	1992/8/6
MATERIAL NO.	
SEE CHART	
SIZE	A3

SCALE	10:1
DESIGN UNITS	METRIC
THIRD ANGLE PROJECTION	
TITLE	
2.5 MINI SPLASH PROOF CONN. CRIMP PIN.	
MOLEX INCORPORATED	
DOCUMENT NO.	SD-50147-8*00

SHEET NO.	
1 OF 1	
THIS DRAWING CONTAINS INFORMATION THAT IS PROPRIETARY TO MOLEX INCORPORATED AND SHOULD NOT BE USED WITHOUT WRITTEN PERMISSION	

DIMENSIONS IN METRIC DO NOT SCALE DRAWING

EDP NO. ENG. NO. SD-50147-8*00



- 注記**
NOTES
- 適合ハウジング アッセンブリ; 52266-*** |
APPLICABLE HS'G ASS'Y; 52266-*** |
 - 嵌合相手; 50148-8*00
MATES WITH; 50148-8*00

50147-8100	バラ状 LOOSE
50147-8000	連鎖状 CHAIN
製品番号 ENG.No.	端子形状 FORM

材料 MATERIAL リン青銅 錫メッキ (t=0.2) PHOSPHOR BRONZE TIN PLATING (t=0.2)	仕上げ FINISH	適用電線範囲 WIRE RANGE AVSS-0.3 AVSS-0.5 CAVS-0.3 CAVS-0.5	被覆外径 INS. RANGE φ 1.4-1.7
角度 ANGLE ±3°	変更 REVISED (J20708)	DR. 9/17/17	CHK'D BY '92/8/6
30以上 OVER ±0.3	新規作成 PROPOSED (J10601)	DR. 9/18/20	CHK'D BY '92/8/6
10以上 30未満 OVER UNDER ±0.25	変更内容 REVISION RECORD	DR. 日付	CHK. 尺度
10未満 UNDER ±0.2	記号 LTR	DR. 日付	CHK. 尺度
一般公差 GENERAL TOLERANCES	REVISE ONLY ON CAD SYSTEM		

MOLEX JAPAN CO., LTD. 日本モレックス株式会社	
EDP. NO.	
ENG. NO.	REV
SD-50147-8*00	A
TITLE 名称 2.5 MINI SPLASH PROOF CONN. CRIMP PIN.	

THIS DRAWING CONTAINS INFORMATION THAT IS PROPRIETARY TO MOLEX(JAPAN) AND SHOULD NOT BE USED WITHOUT WRITTEN PERMISSION
本図面は日本モレックス(株)の所有する情報を含むもので 当社の許可なく複製を禁止する。

MXJ-8